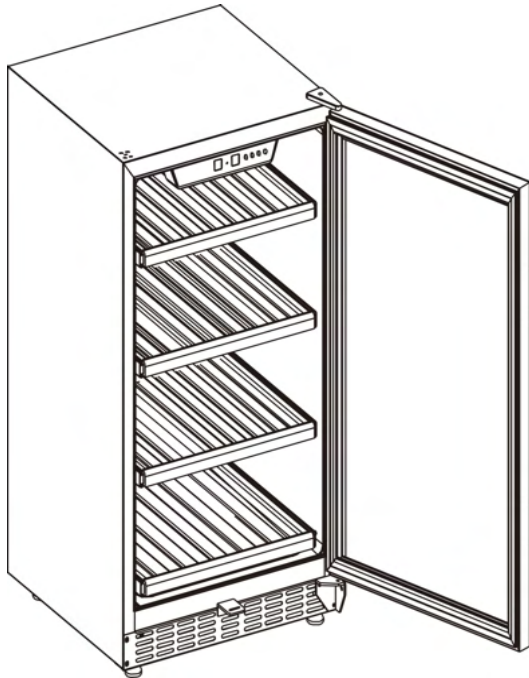


WILBANKS

Homeostatic Incubator TM

INSTRUCTION MANUAL



MODEL:

WH-80
WH-154
WH-240
WH-380
WH-450

Dear Users :

Thanks for choosing the Wilbanks Homeostatic Incubator™. This manual would apply to various models of our Reptile incubator. The model you choose may have a little difference from the description in this manual. If you encounter any questions not included in this manual, please contact our customer service at www.WilbanksReptiles.com. We sincerely hope that you will enjoy using the Wilbanks Homeostatic Incubator™.

Table of Contents

| | |
|-------------------------------------|----|
| Notes ----- | 4 |
| Structure of Reptile incubator----- | 6 |
| Installation ----- | 7 |
| Operation Instruction ----- | 8 |
| Care and Maintenance ----- | 12 |
| Troubleshooting ----- | 13 |
| Technical Parameters ----- | 15 |

1. Important Safety Notes:

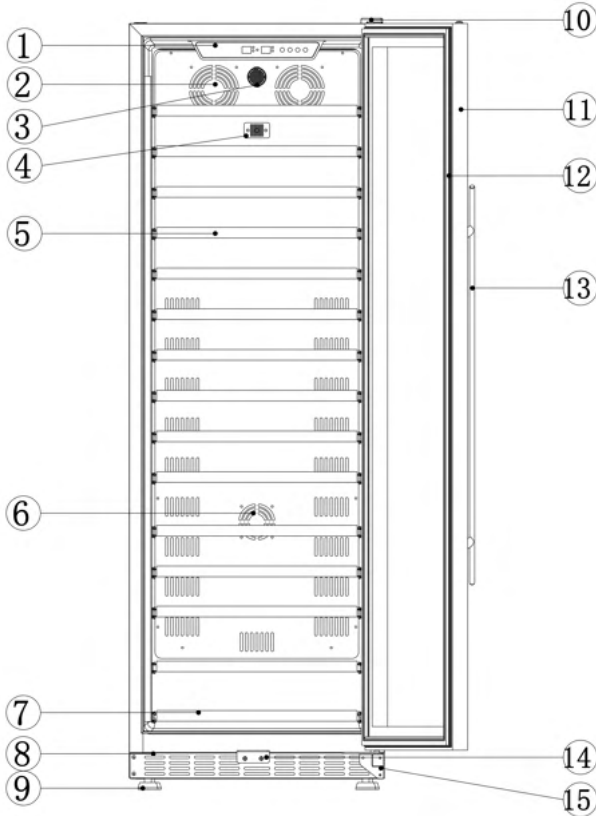
| | |
|--|--|
| ⚡Warnings⚡ | To reduce the risk of fire, electrical shock, or injury when using your appliance, follow these basic precautions: |
| <ul style="list-style-type: none">● Read all instructions before using the Reptile incubator.● Do keep the children away from the Reptile incubator. Never allow children to operate, play with, or crawl inside the appliance.● Never clean appliance parts with flammable fluids. The fumes can create a fire hazard or explosion.● If your incubator stops working, please call our customer service department or other related technicians to check and repair. Never do it by yourself in case of accident.● Once the power cord is damaged, find a professional technician or electrician to change a new one. Never do it by yourself or continue to use so as to avoid danger.● Do make sure that the plug is pulled while cleaning, moving or repairing.● Keep ventilation openings in the appliance enclosure clear of obstruction.● Do not damage the refrigerant circuit.● Do not use electrical appliances inside the incubation chamber of the appliance unless they are of the type recommended by our customer service department. <p style="text-align: center;">-Save these instructions-</p> | |

✎Notes✎

- In order to avoid damage of door seal, please make sure the door totally opened while pulling out the movable shelves.
- Place the cooler closed to power socket.
- When incubating reptile eggs in an incubator, please do not move the incubator.
- Make sure the incubator is placed in proper place in order to avoid that the compressor in the back could be easily touched.
- Do not stop and start the Reptile incubator too frequently. The interval should be at least 5 minutes.
- Before you throw away your old movable shelves: Take off the door. Leave the shelves in original place so that children may not easily climb inside.
- Flammable and explosive articles should not be put in or near the cabinet, to avoid the fire or explosion.
- This appliance can be used by children aged from 12 years and above and persons with reduced physical sensory or mental capabilities or lack of experience and knowledge if they have been given supervision or instruction concerning use of the appliance in a safe way and understand the hazards involved .
- Children shall not play with the appliance. Cleaning and user maintenance shall not be made by children without supervision.
- If the supply cord is damaged, it must be replaced by the manufacturer, its service agent or similarly qualified persons in order to avoid a hazard.
- Please keep this Use Manual carefully.

2. Structure of Wilbanks Homeostatic incubator™

1.WH-80/WH-154/WH-240/WH-380/WH-450 series structure diagram :



- (1) Control panel
- (2) Ventilation fan
- (3) Active carbon filter
- (4) Sensor
- (5) Full wooden shelf
- (6) Heater fan
- (7) Small wooden shelf
- (8) Ventilation base
- (9) Adjustable feet
- (10) Upper hinge
- (11) Glass door
- (12) Door seal
- (13) Handle
- (14) Latch Hook
- (15) Lower hinge

3. Installation

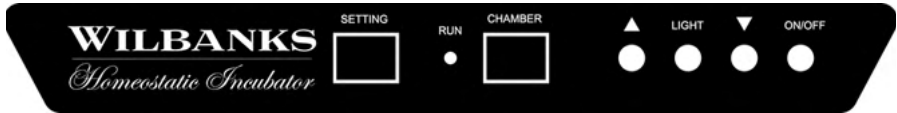
- **Before Using Your Reptile incubator**
- Remove the exterior and interior packing.
- Before connecting the Reptile incubator to the power source, let it stand upright for approximately 2 hours. This will reduce the possibility of a malfunction in the cooling system from handling during transportation.
- Clean the interior surface with lukewarm water with a soft cloth.
- The Incubator is specially designed for reptile egg incubation, please do not put in other goods.

➤ **Installation:**

- The incubator should be placed independently so as to make sure good heat dissipation. The back of the incubator should be away from the wall 4 inches 10cm at minimum.
- Place your Reptile incubator on a floor that is strong enough to support it when it is fully loaded. To level your Reptile incubator, adjust the front leveling leg at the bottom of the Reptile incubator.
- Locate the Reptile incubator away from direct sunlight and sources of heat (stove, heater, radiator, etc.). Direct sunlight may affect the acrylic coating and heat sources may increase electrical consumption. Extreme cold ambient temperatures may also cause the unit not to perform properly.
- Plug in the proper power socket. Make sure that the shape and voltage of the socket is consistent with the nameplate on the back of the cooler.

Operation Instruction

4.1 Control Panel Below(Single Zone):



⊙ **Display Windows**

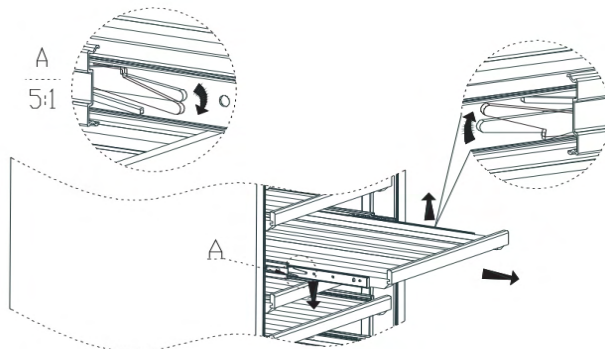
- **RUN light:** Indicator light of compressor working. While the compressor operating, the red light is on. While it stops operating, the red light is off.
- **SETTING:** Display of the temperature you set. The range of temperature setting is 5°C~37°C or 41°F~99°F.
- **CHAMBER:** Display of the actual temperature inside the cabinet; The range is 5°C~37°C or 41°F~99°F.
- **°C/°F light:** When the °C light is on, it indicates Celsius temperature; When the °F light is on, it indicates Fahrenheit temperature.

⊙ **Button Operation**

- **▲ ▼ Button:** Temperature setting button; Once you press the button, the temperature increase 1°C or 1°F. Setting range is between 5°C~37°C or 41°F~99°F.
- **LIGHT Button:** Cabinet light control button; Note: Once the light is turned on, Constant light
- **ON/OFF button:** Power on and off button; Press the button, it starts; press it again, it stops. (Touch products press three seconds to off or on.)

⊙ **Shelf Change**

Do as the following shows if needing to pull out or change the shelves;

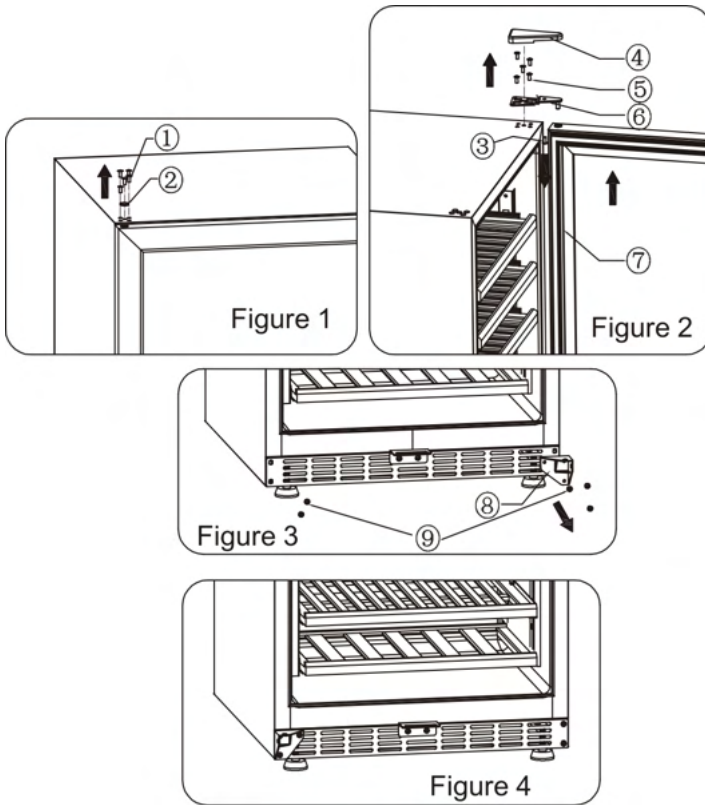


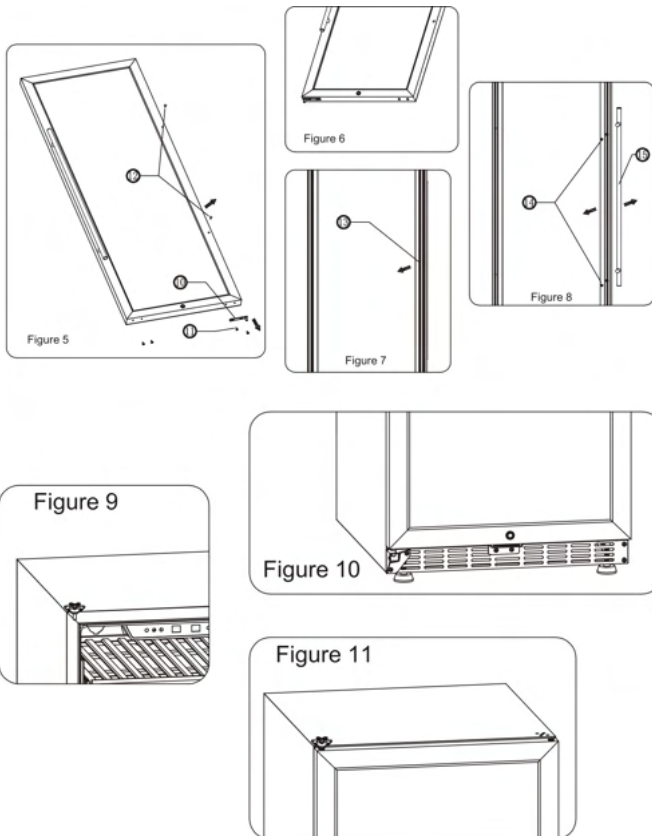
Firstly take out all the Reptile egg from the shelves and pull shelf out to the limit.

Then press down the left limit of sliding rail and meanwhile press up the right one, pull the shelves out at this time. It could be easily pulled out if doing the three steps (Press down left limit, press up the right one and pulling out) at the same time.

⊙ **Reversing the door swing of your appliance**

The unit is delivered to you with the door opening from the left side (hinge on right side). The door of this appliance is capable of opening from either the left or right side. To reverse the door swing of your cooler and open from the right side, please follow the instructions and diagram as follows.





NOTE: All parts removed must be saved to allow the door swing to be reversed

1. Use the sharp tools to pry open the decoration nail on the top of the cabinet and the cap of door spindle carefully. (Fig 1)

2. Open the door to an angle, unscrew the screw of the door hinges cover, remove the cover of the upper door hinge; then unscrew all the screws on the upper door hinge. Be careful to hold the glass door firmly after removing the screw and take off the door. (Fig 2)

3. Remove the screw of lower door hinge and the left side screw of the front vent (Fig 3); and then install the lower door hinge at the designated position on the opposite side (Fig 4).

4. Remove the screw of door handle, then remove the bottom screw of left side of the door and remove the lower supporter of the door. (Fig 5); Install the lower supporter of the door to the opposite side. (Fig 6).

5. Pull open middle section of the door gasket, then it will come out the handle

screw hole.(Fig 7); remove the handle and install it on the opposite side.(Fig 8)
6.Install the upper door hinge to the opposite side and tighten the screws. (Fig 9)
7.Set glass door shaft to aim the shaft of lower door hinge (Fig 10);and then aim the upper door hinge (Fig 11); adjust the door and the cabinet is aligned and leveled, then tighten all the lock screws.
You also can call customer service for reversal instructions if it is necessary.

5. Care and Maintenance

Cleaning Your Reptile incubator

- Wash the inside surfaces with warm water and baking soda solution. The solution should be about 2 tablespoons of baking soda with a quart of water.
- Wash the shelves with a mild detergent solution.
- Turn off the power, unplug the appliance, and remove all items including shelves and rack.
- Wring excess water out of the sponge or cloth when cleaning area of the controls, or any electrical parts.
- Wash the outside cabinet with warm water and mild liquid detergent. Rinse well and wipe dry with a clean soft cloth.

➤ **Power Failure**

- Most power failures are corrected within a few hours and will not affect the temperature of your appliance if you minimize the number of times the door is opened. If the power is going to be off for a longer period of time, you need to take the proper steps to protect your contents.

➤ **Vacancy time**

- **Short vacancy:** Leave the Reptile incubator stopping working for around three weeks.
- **Long vacancy:** If the appliance will not be used for several months, remove all items and turn off the appliance. Clean and dry the interior thoroughly so as to restraint odors and mould. Leave the door open slightly all the time if necessary.

➤ **Moving Your Reptile incubator**

- Remove all items.
- Securely tape down all loose items (shelves) inside your appliance.
- Turn the adjustable leg up to the base to avoid damage.
- Make the door shut.
- Be sure the appliance stays secure in the upright position during transportation.

Also protect outside of appliance with a blanket, or similar item.

6. Troubleshooting

You can solve many common Reptile incubator problems easily, saving you the cost of a possible service call. Try the suggestions below to see if you can solve the problem before calling the service.

TROUBLESHOOTING GUIDE

| (a) PROBLEM | (b) POSSIBLE CAUSE |
|---|--|
| Reptile incubator does not operate. | Not plugged in. The appliance is turned off. The circuit breaker tripped or a blown fuse. |
| Reptile incubator is not cold enough. | Check the temperature control setting. External environment may require a higher setting. The door is opened too often. The door is not closed completely. The door gasket does not seal properly. |
| Turn on and off frequently. | The room temperature is hotter than normal. A large amount of contents has been added to the Reptile incubator. The door is opened too often. The door is not closed completely. The temperature control is not set correctly. The door gasket does not seal properly. |
| The light does not work. | Not plugged in. The circuit breaker tripped or a blown fuse. The bulb has burned out. The light button is "OFF". |
| Vibrations. | Check to assure that the Reptile incubator is on level. |
| The Reptile incubator seems to make too much noise. | The rattling noise may come from the flow of the refrigerator, which is normal. As each cycle ends, you may hear gurgling sounds caused by the flow of refrigerator in your Reptile incubator. Contraction and expansion of the inside walls may cause popping and crackling noises. The Reptile incubator is not on level. |

| | |
|-----------------------------------|---|
| The door will not close properly. | The Reptile incubator is not on level. The door was reversed and not properly installed. The gasket is dirty. The shelves are out of position. |
|-----------------------------------|---|

Notes: The replacement of LED light must need the qualified technician. First to unscrew the 2 screws on the light cover, then take out the screw on the LED panel, and replace LED light of same specification.

7. Data Parameters



| MODEL NO. | WH-80 | WH-154 | WH-240 | WH-380 | WH-450 |
|-------------------------------|---|---|---|---|---|
| NET WEIGHT | 82 lbs (37 KGS) | 112 lbs (51 KGS) | 143 lbs (65 KGS) | 196 lbs (89 KGS) | 216 lbs (98 KGS) |
| VOLUME | 2.83 CF (80Liter) | 5.44 CF (154Liter) | 8.48 CF (240Liter) | 13.42 CF (380Liter) | 15.89 CF (450Liter) |
| NOMINAL VOLTAGE/ FREQUENCY | 110-120V/60HZ 220-240V/50-60HZ | 110-120V/60HZ 220-240V/50-60HZ | 110-120V/60HZ 220-240V/50-60HZ | 110-120V/60HZ 220-240V/50-60HZ | 110-120V/60HZ 220-240V/50-60HZ |
| TEMPERATURE RANGE | 41-99°F | 41-99°F | 41-99°F | 41-99°F | 41-99°F |
| REFRIGERATING POWER | 90W | 100W | 110W | 130W | 140W |
| HEATING POWER | 60W | 120W | 180W | 180W | 180W |
| TYPE OF HEATING | PTC heating plate with Air-circulated Fan heating | PTC heating plate with Air-circulated Fan heating | PTC heating plate with Air-circulated Fan heating | PTC heating plate with Air-circulated Fan heating | PTC heating plate with Air-circulated Fan heating |
| REFRIGERATION MODE | compressor with air-circulated fan cooling | compressor with air-circulated fan cooling | compressor with air-circulated fan cooling | compressor with air-circulated fan cooling | compressor with air-circulated fan cooling |
| LIGHTING | White LED | White LED | White LED | White LED | White LED |
| NUMBER OF LAMINATES | 7th floor | 4th floor | 5th floor | 7th floor | 8th floor |
| PRODUCT DIMENSION | 14.96"Wx23.62"D x34.45"H | 23.43"Wx23.62"D x33.27"H | 23.43"Wx23.62"D x47.83"H | 23.43"Wx26.77"D x63.98"H | 23.43"Wx26.77"D x70.66"H |