

g -x2

h -x2

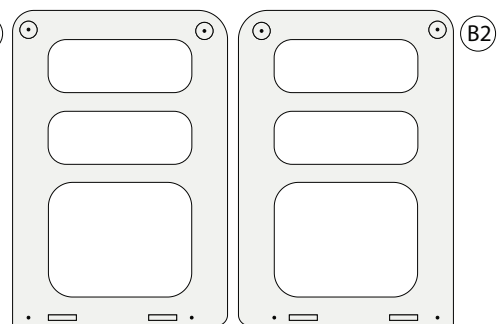
i -x2

m - 22+1 pcs (3x12mm)

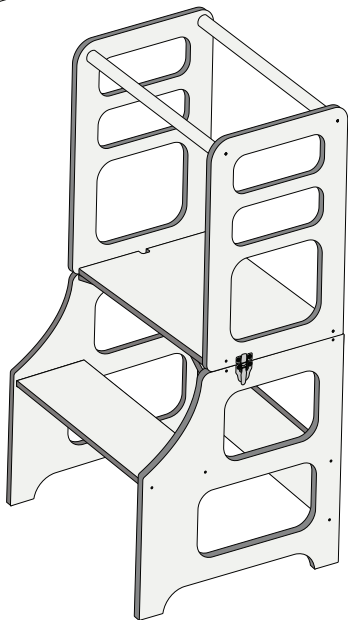
- hex key

k - 20+1 pcs (4,5x50mm)

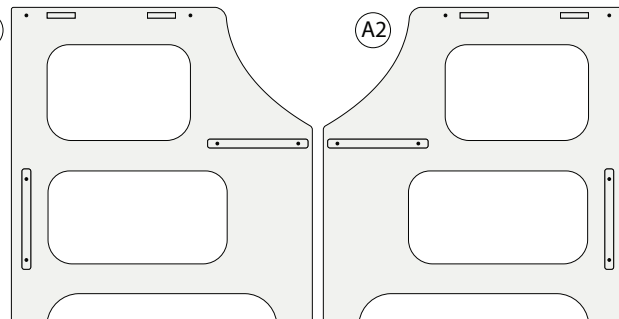
B1



B2

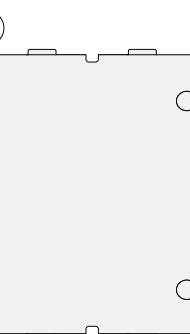


A1

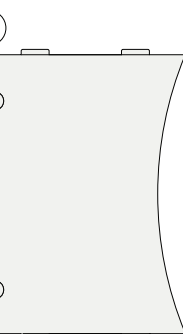


A2

C

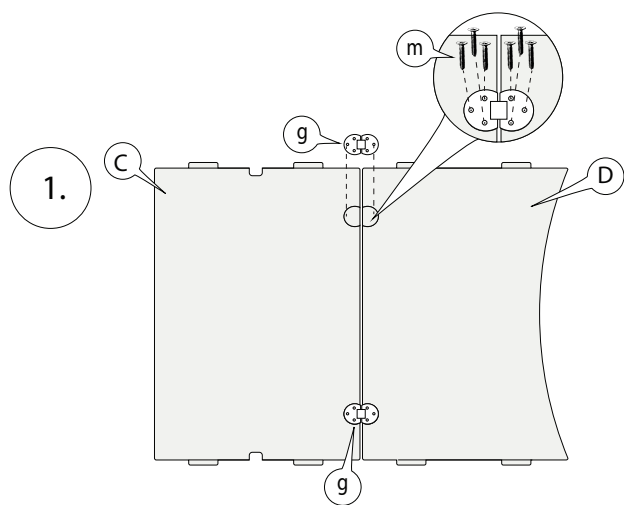


D



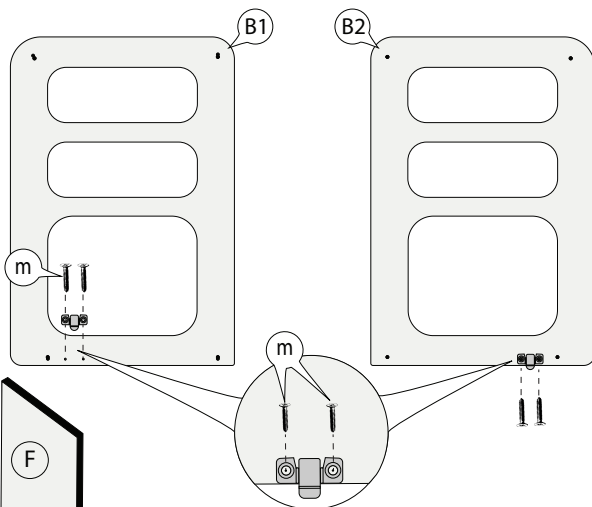
E-x2

F-x2

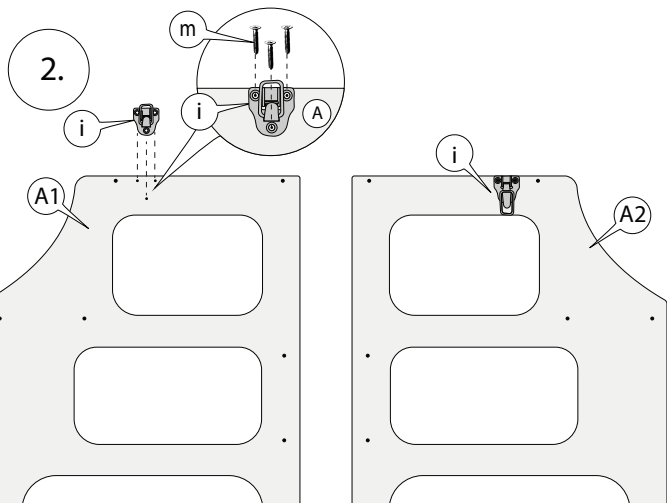
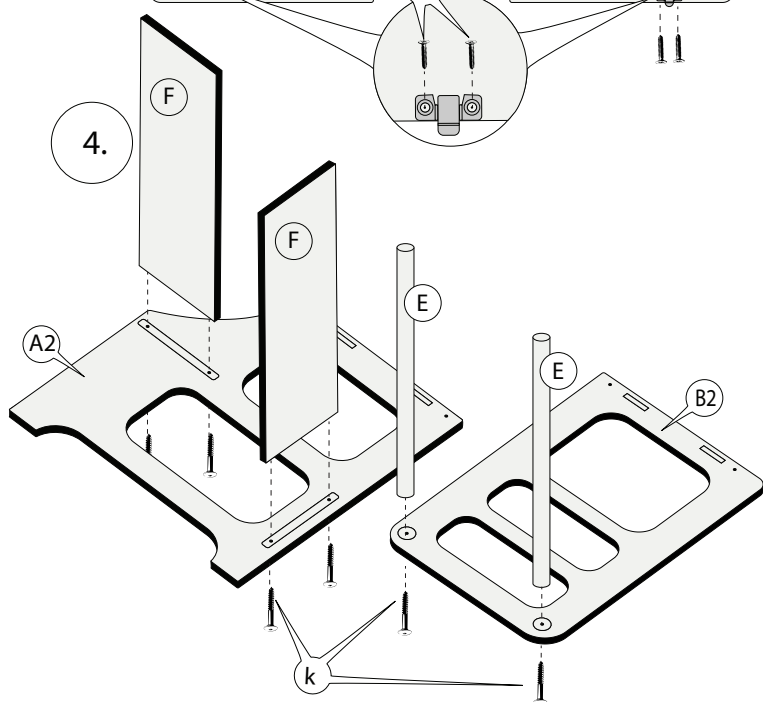


1.

3.

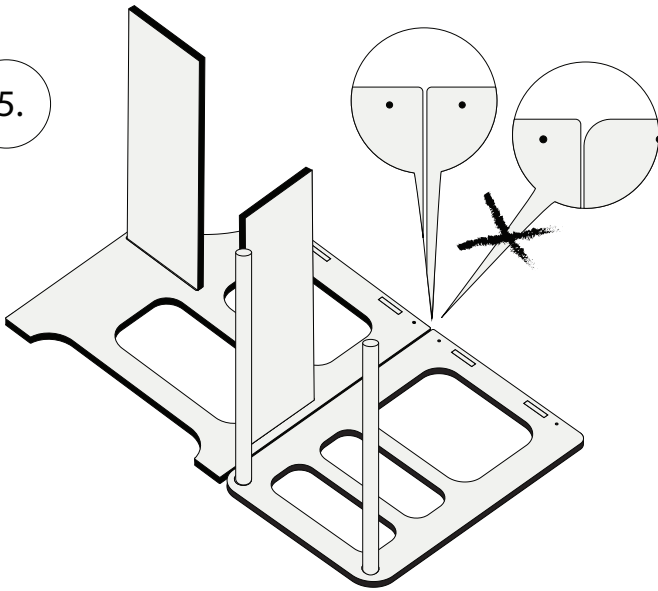


4.

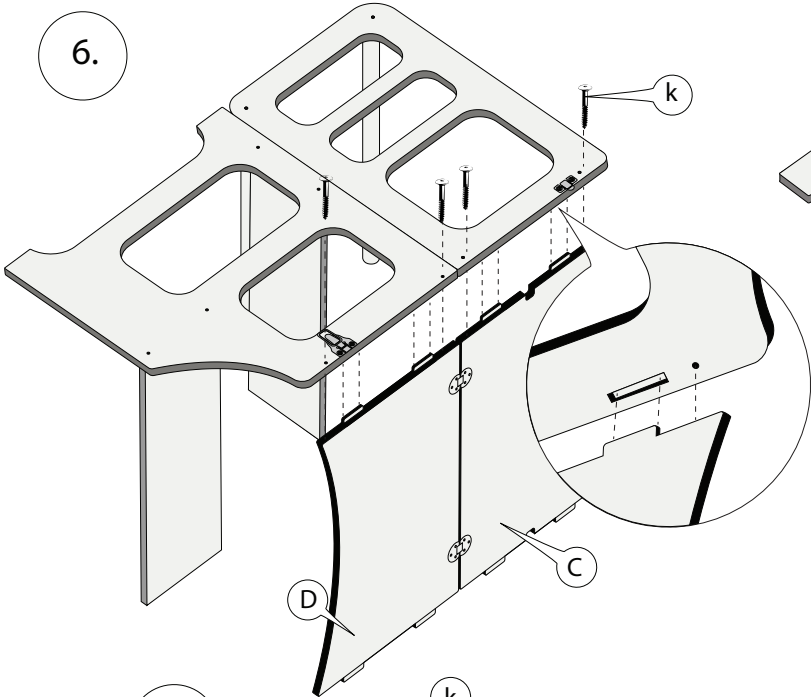


2.

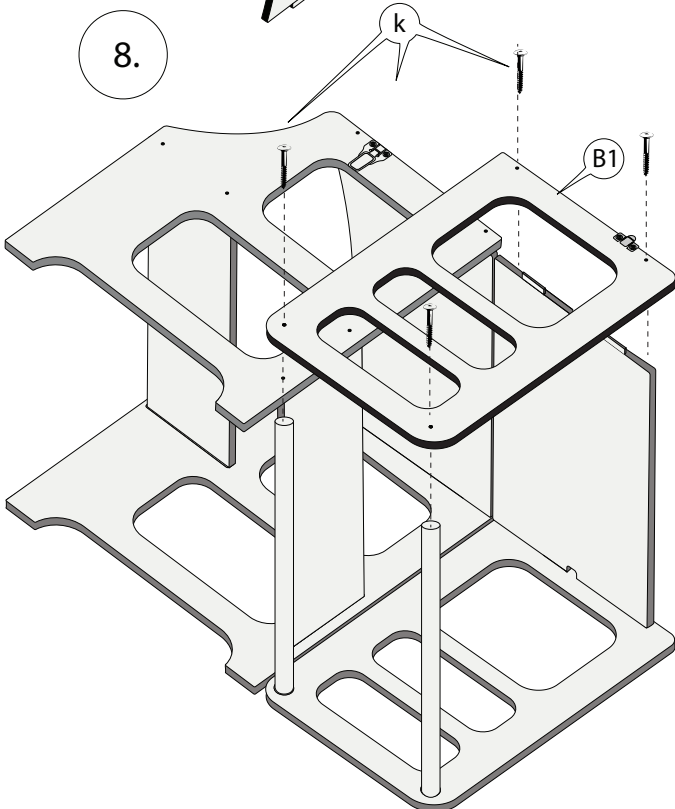
5.



6.



8.



7.

